

CABINET DOORS

Regular Cleaning

ALL DOORS: clean with a damp, soft cloth and dry immediately with a dry, soft cloth.

Major Cleaning

WOOD DOORS: clean with a damp, soft cloth, dry immediately with a dry, soft cloth and follow with a light coat of high quality liquid or paste furniture wax.

LAMINATE DOORS: clean with a mild soap and water solution, dry immediately with a soft dry cloth.

HIGH GLOSS P.V.C. VINYL DOORS: a good high quality window cleaner (such as Windex) works well. Be sure the cleaner is ammonia-free. Spray directly on door and dry immediately with a clean dry soft cloth.

P.V.C. VINYL DOORS: wipe clean with methyl hydrate. Be sure not to use any ammonia-based cleaners on this door.

Do's and Don'ts

DO NOT USE: detergents, strong soap, abrasives or self polishing waxes on your cabinets. Avoid using cloths which may contain remnants of these cleansers.

SCRATCHES should be covered with a putty stick, available in matching colours from most lumber supply centres.

EXCESS MOISTURE is the worst enemy of any finish. Dry off any water immediately with a soft, dry cloth.

CABINET INTERIORS

Cleaning

Clean with a damp, soft cloth and dry immediately with a dry, soft cloth. CAUTION: Cabinet interiors have a water-resistant top coat. Water or other liquids allowed to sit on the

surface for prolonged periods may cause staining and/or bubbling. Ensure dishes, glasses, etc. are dry before storing in the cabinets.

COUNTERTOPS

Cleaning

For general cleaning use a soapy cloth; for stubborn stains use a solvent or bleach; rinse thoroughly with clean water and polish dry. For a good lustre, use a high grade of lemon oil.

Polish high gloss tops occasionally with glass wax or liquid car polish to mask superficial scratches.

Do's and Don'ts

STANDING WATER: Avoid a concentration of water or wet cloths at countertop joints and seams may cause glue failure and delamination. Damage caused in this way is NOT warranted by the manufacturer.

HOT PANS or activated electrical appliances should not be placed on laminated surfaces; use protective insulating pads.

ABRASIVE CLEANERS or steel wool should never be used.

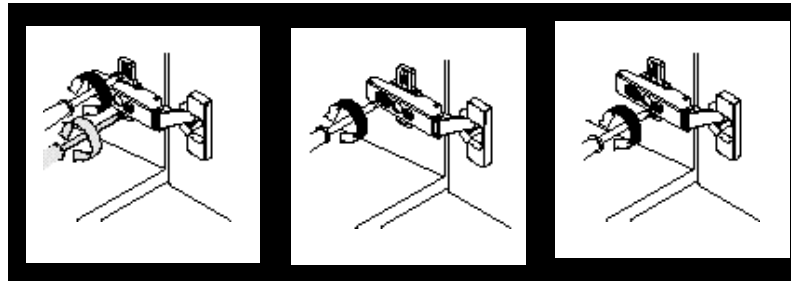
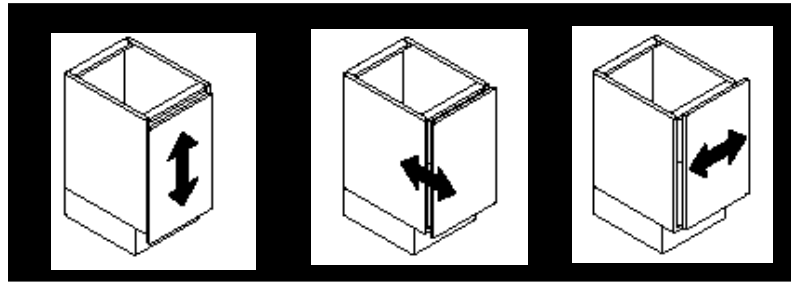
HOUSEHOLD BLEACH should not be al

GAPS: Due to house settlement (in new homes) the filler between countertop and the wall might become loose. Re-seal with Dap or Silicone caulking.

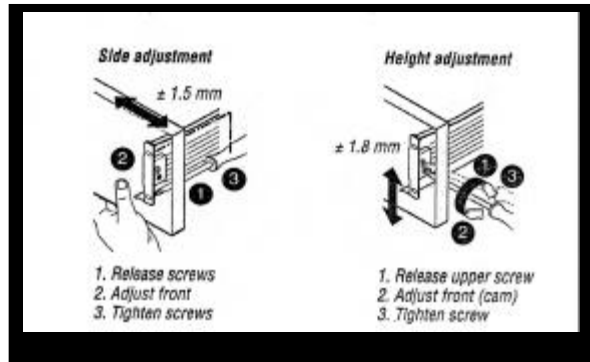
ADJUSTMENTS

In time it may be necessary to make minor adjustments for proper alignment. Make these simple adjustments promptly to undue wear to parts and finishes.

ADJUST DOORS



ADJUST DRAWERS



northshore
vanities